



WHM14-3020BE

1.2 – 1.6 GHz LOW NOISE WIDE BAND AMPLIFIER

REV C
February 2018

Key Features



- 1.2 ~ 1.6 GHz
- 0.50 dB Noise Figure
- 17.0 dBm Output IP₃
- 32.0 dB Gain
- +/-0.5 dB Gain Flatness
- 7.0 dBm P_{1dB}
- 1.35:1 VSWR Fully Matched
- Single Power Supply
- >68 Years MTBF
- RoHS Compliant
- MSL-1 Moisture Sensitivity Level

Product Description

WHM14-3020BE is integrated with WanTcom proprietary low noise amplifier technologies, high frequency micro electronic assembly techniques, and high reliability designs to realize optimum low noise figure, wideband, and high performances together. With single +3.3V DC low power operation, the amplifier has optimal input and output matching in the specified frequency range at 50-Ohm impedance system. The amplifier has standard 0.35" x 0.25" x 0.075" surface mount package.

The amplifier is designed to meet the rugged standard of MIL-STD-883g.

CAUTION:



ELECTROSTATIC DISCHARGE SENSITIVE

Applications

- GPS Infrastructures
- Hand held GPS
- Defense
- Security System
- Measurement
- Fixed Wireless



Specifications

Summary of the key electrical specifications at room temperature

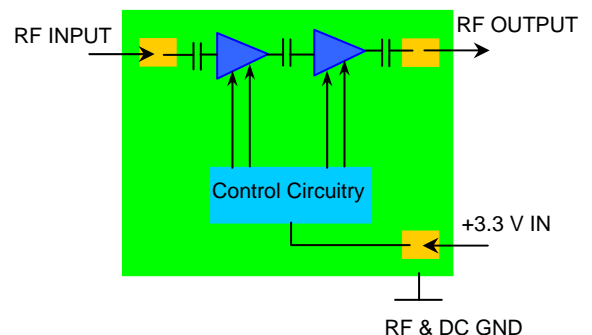
Index	Testing Item	Symbol	Test Constraints	Min	Nom	Max	Unit
1	Gain	S ₂₁	1.2 – 1.6 GHz	30	32	34	dB
2	Gain Variation	ΔG	1.2 – 1.6 GHz		+/-0.5	+/-1.0	dB
3	Input Return Loss	S ₁₁	1.2 – 1.6 GHz	14	18		dB
4	Output Return Loss	S ₂₂	1.2 – 1.6 GHz	14	18		dB
5	Reverse Isolation	S ₁₂	1.2 – 1.6 GHz	40	45		dB
6	Noise Figure	NF	1.2 – 1.6 GHz		0.5	0.6	dB
7	Output 1dB Gain Compression Point	P _{1dB}	1.2 – 1.6 GHz	4.0	7.0		dBm
8	Output-Third-Order Interception Point	IP ₃	Two-Tone, P _{out} = 0 dBm each, 1 MHz separation		17		dBm
9	Current Consumption	I _{dd}	V _{dd} = +3.3 V		25		mA
10	Power Supply Operating Voltage	V _{dd}		+3.0	+3.3	+3.5	V
11	Thermal Resistance	R _{th,c}	Junction to case			220	°C/W
12	Operating Temperature	T _o		-40		+85	°C
13	Maximum Input CW RF Power	P _{IN, MAX}	DC – 6.0 GHz			10	dBm

Absolute Maximum Ratings

Parameters	Units	Ratings
DC Power Supply Voltage	V	5.0
Drain Current	mA	60
Total Power Dissipation	mW	300
Input CW RF Power	dBm	10
Junction Temperature	°C	150
Storage Temperature	°C	-65 ~ 150
Operating Temperature	°C	-55 ~ +100
Thermal Resistance	°C/W	220

Operation of this device beyond any one of these parameters may cause permanent damage.

Functional Block Diagram



Ordering Information

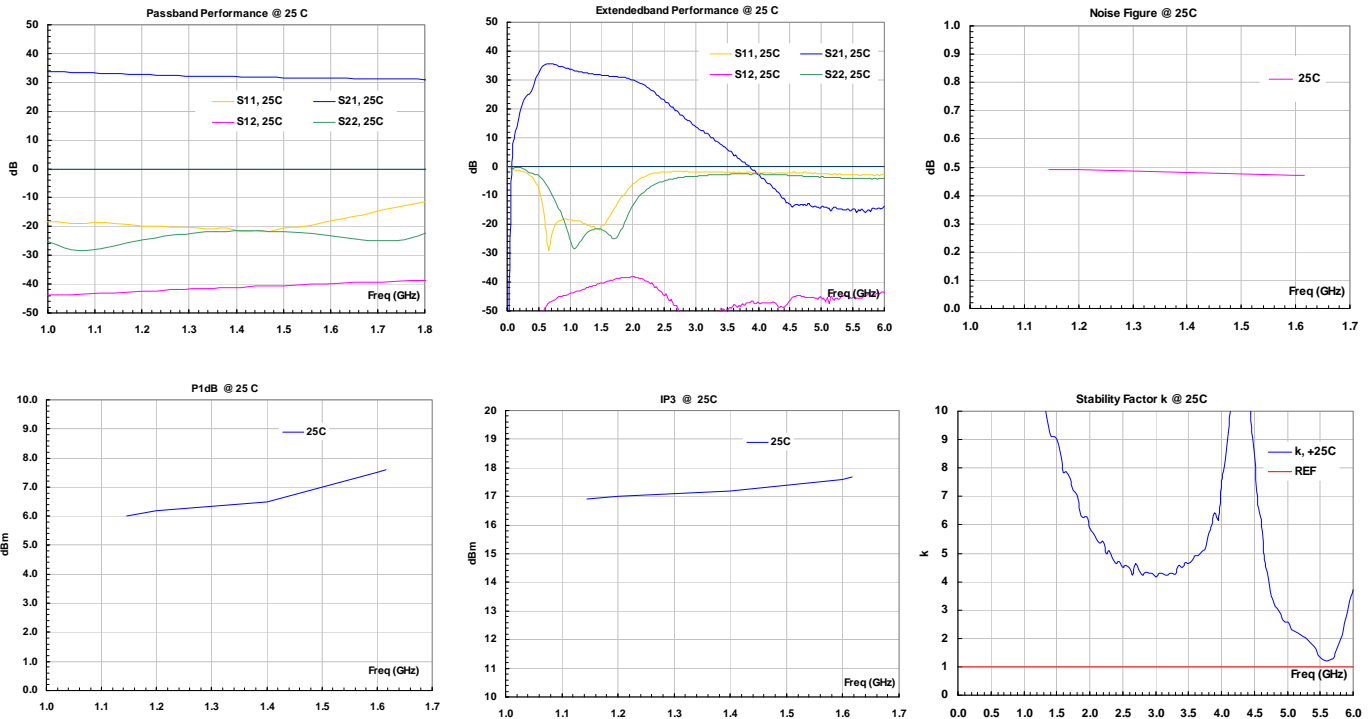
Model Number	WHM14-3020BE
--------------	--------------

ESD tube is used for the packing. Contact factory for tape and reel packing option for higher volume order.

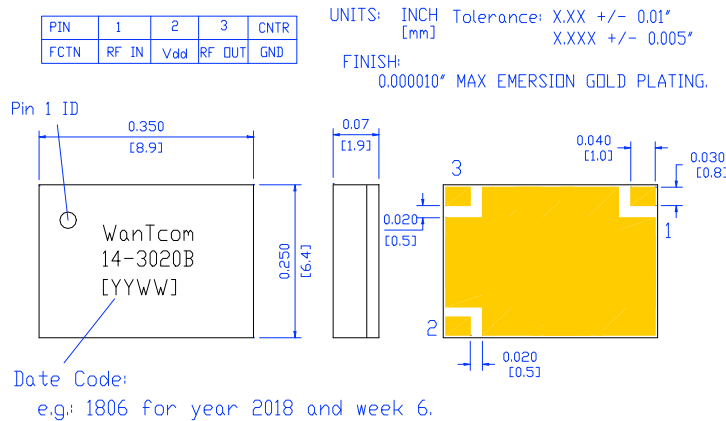
Specifications and information are subject to change without notice.



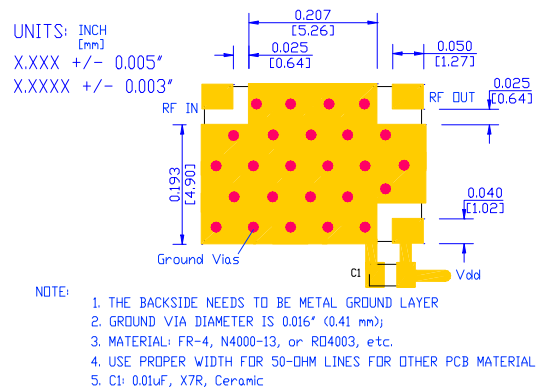
Typical Data



Outline, WHM-5



Footprint



Application Notes:

A. Motherboard Layout

The recommended demo layout is shown in **Figure 1**. Sufficient numbers of ground vias on the center paddle are essential for the RF grounding. The width of the 50-Ohm microstrip lines at the input and output RF ports may be different for different property of the PCB substrate. The ground plane on the backside of the PCB substrate is needed to connect the center ground pad through the ground vias. The ground plane is also essential for the 50-Ohm microstrip line at the input and output ports.

Specifications and information are subject to change without notice.



The +5V DC voltage is applied to Pin 2. For +5V line trace length being longer than 6 inches without a decoupling capacitor, a 0.10 uF de-coupling capacitor, C₁, with minimum rating voltage of 10V is needed across the +5V pin to ground. The capacitor must be rated in the temperature range of -55 °C to 100 °C to ensure the entire circuit work in the specified temperature range.

No DC block capacitor is required at input and output RF ports. The amplifier has built-in DC block capacitors at the ports.

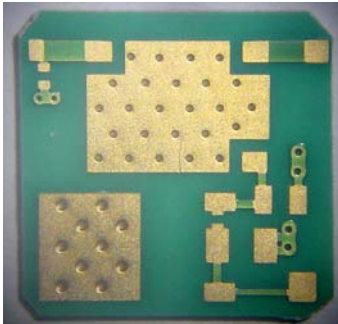


Fig. 1 Motherboard

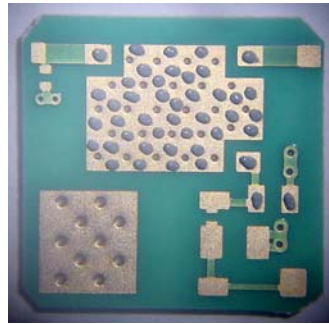


Fig. 2 Dispensed solder paste

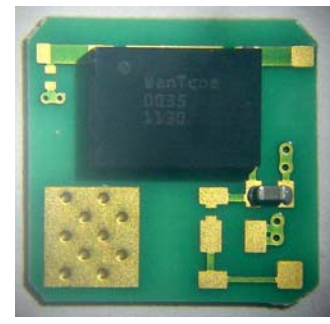


Fig. 3 Assembled part

B. Assembly

The regular low temperature and no clean solder paste such as SN63Pb37 is recommended. The high temperature solder has been used internally for the WHM series amplifier assembly. The melting temperature point of the high temperature solder is around 240 °C. Thus, melting temperature of the solder paste should be below 220 °C for assembling the amplifier on the test board to reduce the possible damage, taking into account the reflow oven temperature fluctuation. The temperature melting point of the SN63Pb37 solder paste is around 183 °C and is suitable for the assembly purpose. For RoHS reflow process, regular SAC305 solder reflow profile does not suitable for the LNA due to the peak reflow temperature can be as high as 250 °C, which will damage the amplifier permanently. Sn60Bi40 RoHS low temperature solder paste is suitable for the RoHS assembly requirement.

The solder paste can be dispensed by a needle manually or driven by a compressed air source. **Figure 2** shows the example of the dispensed solder paste pattern. Each solder paste dot is in the diameter of 0.005" ~ 0.010" (0.125 ~ 0.250 mm) range.

For volume assembly, a stencil with 0.004" to 0.006" (0.10 mm to 0.15 mm) thickness is recommended to print the solder paste on the circuit board.

Figure 3 illustrates the assembled LNA on the motherboard.

For more detail assembly process, refer to AN-109 at www.wantcominc.com website.

C. Electrical Testing and Fine Tuning

The amplifier is designed to be fully matched at the input and output ports. Any tuning is not needed. However, when connecting the assembled amplifier to a device such as a SMA connector or a filter, the connecting points or joint points could affect mainly the return losses at the ports due to the non-ideal 50-Ohm impedance of the devices connected to the amplifier. By varying the connection feature size such as the solder amount to get the optimum return losses or best matching result at the interface. This fine-tuning has little effect on the other performance such as gain, noise figure, P_{1dB}, or IP₃.

During the fine-tuning process, a vector network analyzer can be used to monitoring the return losses at the ports while varying the feature size of the joint points. Varying the connection feature size until the optimum return losses are achieved.
