



WHM14-3035LE

1.145 – 1.616 GHz LOW NOISE LIMITER AMPLIFIER

REV D
July 2016

Key Features



- 1.145 ~ 1.616 GHz
- 0.70 dB Noise Figure
- 20.0 dBm Max CW P_{in}
- 35.0 dBm Max Pulse P_{in}
- 31.0 dB Gain
- 20.0 dBm P_{1dB}
- 1.25:1 VSWR Fully Matched
- Unconditional Stable, $k > 1$
- Single Power Supply
- >68 Years MTBF
- RoHS Compliant
- MSL-1 Moisture Sensitivity Level

Product Description

WHM14-3035LE is integrated with WanTcom proprietary low noise amplifier technologies, high frequency micro electronic assembly techniques, and high reliability designs to realize optimum low noise figure, wideband, and high performances together. With single +5.0V DC operation, the amplifier has optimal input and output matching in the specified frequency range at 50-Ohm impedance system. The amplifier has standard 0.50" x 0.35" x 0.08" surface mount package.

The amplifier is designed to meet the rugged standard of MIL-STD-883g.

CAUTION:



ELECTROSTATIC DISCHARGE SENSITIVE

Applications

- Mobile Infrastructures
- GPS
- Satellite
- WiMAX
- Defense
- Security System
- Measurement
- Fixed Wireless



Specifications

Summary of the key electrical specifications at room temperature

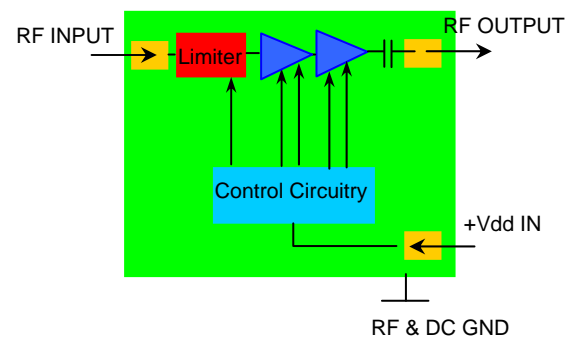
Index	Testing Item	Symbol	Test Constraints	Min	Nom	Max	Unit
1	Gain	S_{21}	1.145 – 1.616 GHz	30	32	34	dB
2	Gain Variation	ΔG	1.145 – 1.616 GHz		+/-0.75	+/- 1.0	dB
3	Input VSWR	SWR_1	1.145 – 1.616 GHz		1.25:1	1.4:1	Ratio
4	Output VSWR	SWR_2	1.145 – 1.616 GHz		1.25:1	1.4:1	Ratio
5	Reverse Isolation	S_{12}	1.145 – 1.616 GHz	35	40		dB
6	Noise Figure	NF	1.145 – 1.616 GHz		0.7	0.8	dB
7	Output Power 1dB Compression Point	P_{1dB}	1.145 – 1.616 GHz	19	20		dBm
8	Output-Third-Order Interception point	IP_3	Two-Tone, $P_{out} = 0$ dBm each, 1 MHz separation	26	30		dBm
9	Current Consumption	I_{dd}	$V_{dd} = +5.0$ V		80		mA
10	Power Supply Operating Voltage	V_{dd}		+4.7	+5	+5.3	V
11	Thermal Resistance	$R_{th,c}$	Junction to case			215	$^{\circ}C/W$
12	Operating Temperature	T_o		-40		+85	$^{\circ}C$
13	Maximum Input CW RF Power	$P_{IN, MAX}$	DC – 6.0 GHz			20	dBm
14	Maximum Input Pulse RF Power	$P_{IN, pulse}$	Pulsed, 7 μ S, Duty Cycle = 0.1%			35	dBm

Absolute Maximum Ratings

Parameters	Units	Ratings
DC Power Supply Voltage	V	7.0
Drain Current	mA	100
Total Power Dissipation	mW	700
Input RF CW Power	dBm	20
Channel Temperature	$^{\circ}C$	150
Storage Temperature	$^{\circ}C$	-65 ~ 150
Operating Temperature	$^{\circ}C$	-55 ~ +100
Thermal Resistance ¹	$^{\circ}C/W$	215

Operation of this device beyond any one of these parameters may cause permanent damage.

Functional Block Diagram



¹ The last stage transistor dominates the heat dissipation. The drain bias voltage is +3.5V and the drain current is 60.0 mA. The total power dissipation of the last stage transistor is thus 210 mW. The junction temperature rise $0.21 \times 215 = 46$ ($^{\circ}C$).

Specifications and information are subject to change without notice.



WHM14-3035LE

1.145 – 1.616 GHz LOW NOISE LIMITER AMPLIFIER

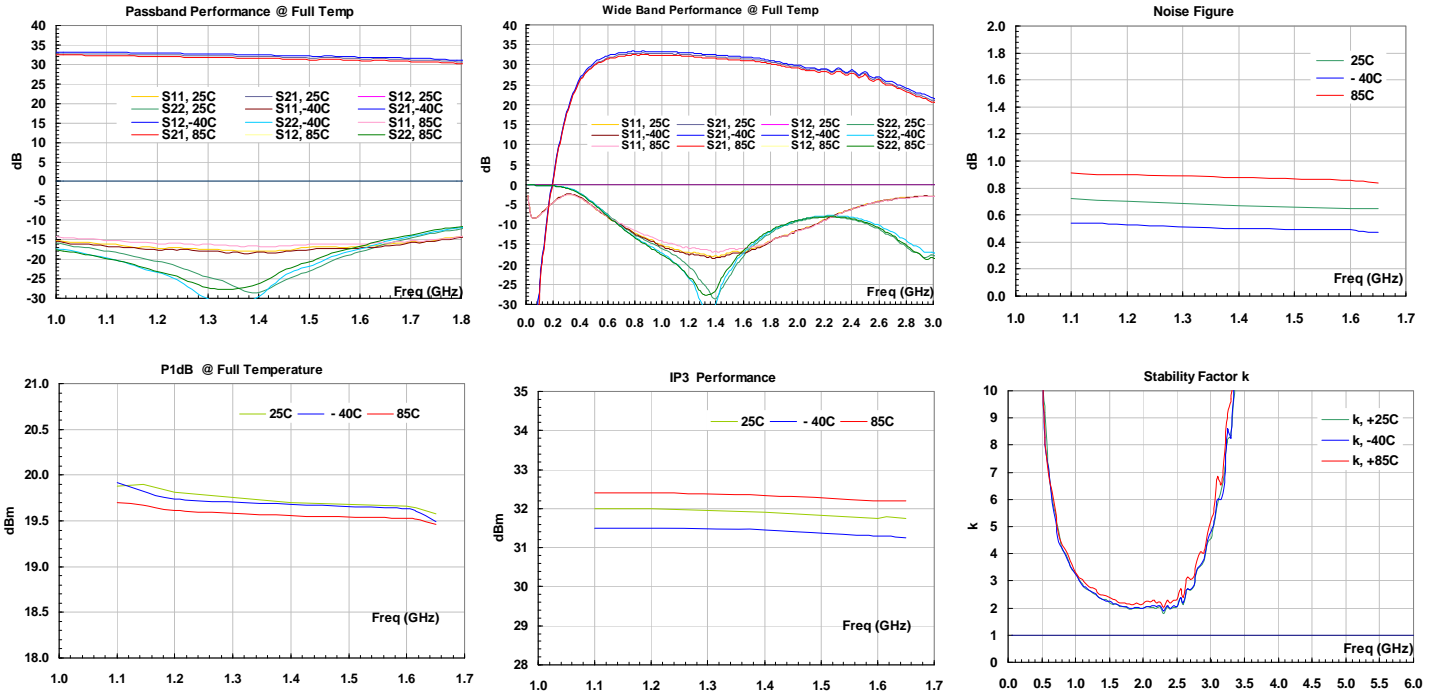
REV D
July 2016

Ordering Information

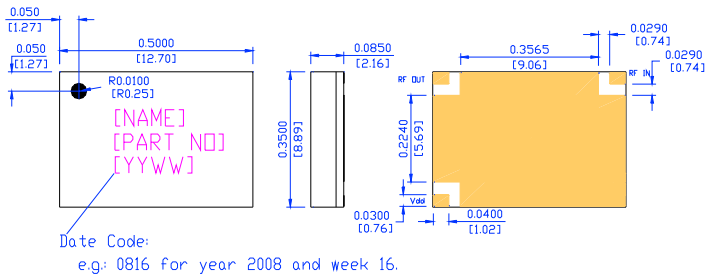
Model Number	WHM14-3035L
--------------	-------------

ESD tube is used for the packing. Contact factory for tape and reel packing option for higher volume order.

Typical Data

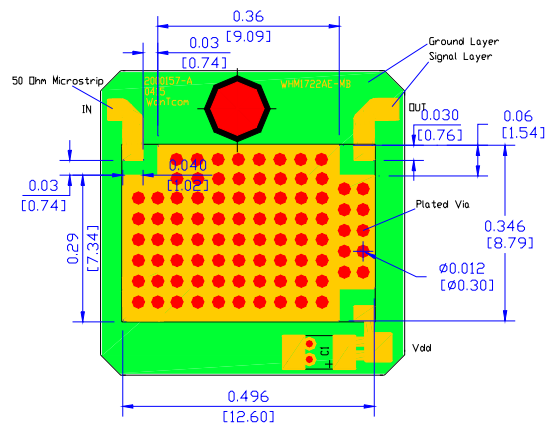


Outline, WHM-4



DO NOT SCALE!

Foot Print/Mounting Layout



Application Notes:

Specifications and information are subject to change without notice.



A. Motherboard Layout

The recommended motherboard layout is shown in diagram of [Foot Print/Mounting Layout](#). Sufficient numbers of ground vias on center ground pad are essential for the RF grounding. The width of the 50-Ohm microstrip lines at the input and output RF ports may be different for different property of the substrate. The ground plane on the backside of the substrate is needed to connect the center ground pad through the vias. The ground plane is also essential for the 50-Ohm microstrip line launches at the input and output ports.

The +5V DC voltage is applied at Pin V_{dd} . There is a built-in 0.33 uF de-coupling capacitor and no external capacitor is required. For +5V line trace length being longer than 6 inches without a decoupling capacitor, a 0.33 uF de-coupling capacitor, C_1 , with minimum rating voltage of 10V is needed across the +5V pin to ground. The capacitor must be rated in the temperature range of -55°C to 100°C to ensure the entire circuit work in the specified temperature range.

No DC block capacitor is required at input and output RF ports.

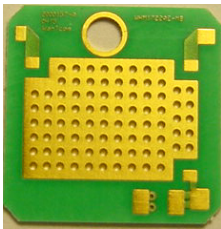


Fig. 1 Example of the motherboard



Fig. 2 Dispensed solder paste



Fig. 3 Assembled part

B. Assembly

The regular low temperature and none clean solder paste such as SN63 is recommended. The high temperature solder has been used internally for the WHM series amplifier assembly. The melting temperature point of the high temperature solder is around 240°C . Thus, melting temperature of the solder paste should be below 220°C for assembling WHM series amplifier on the test board to reduce the possible damage. The temperature melting point of the SN63 solder paste is around 183°C and is suitable for the assembly purpose.

The SN63 solder paste can be dispensed by a needle manually or driven by a compressed air. **Figure 2** shows the example of the dispensed solder paste pattern. Each solder paste dot is in the diameter of $0.005'' \sim 0.010''$ ($0.125 \sim 0.250$ mm).

For volume assembly, a stencil with $0.006''$ (0.10 mm) is recommended to print the solder paste on the circuit board.

For more detail assembly process, refer to AN-109 at www.wantcominc.com website.

C. Electrical Testing and Fine Tuning

The amplifier is designed to be fully matched at the input and output ports. Any tuning is not needed. However, when connecting the assembled amplifier to a device such as a SMA connector or a filter, the connecting point or joint can affect mainly the return loss at the port due to the non-ideal 50-Ohm impedance of the device. By varying the connection feature size such as the solder amount to get the optimum return loss or best matching result at the interface. This fine-tuning has little affect on the other performance such as gain, noise figure, P_{1dB} , or IP_3 .

During the fine-tuning process, a vector network analyzer can be used to monitoring the return loss at the port while varying the feature size of the joint point. Varying the connection feature size until the optimum return loss is achieved.
